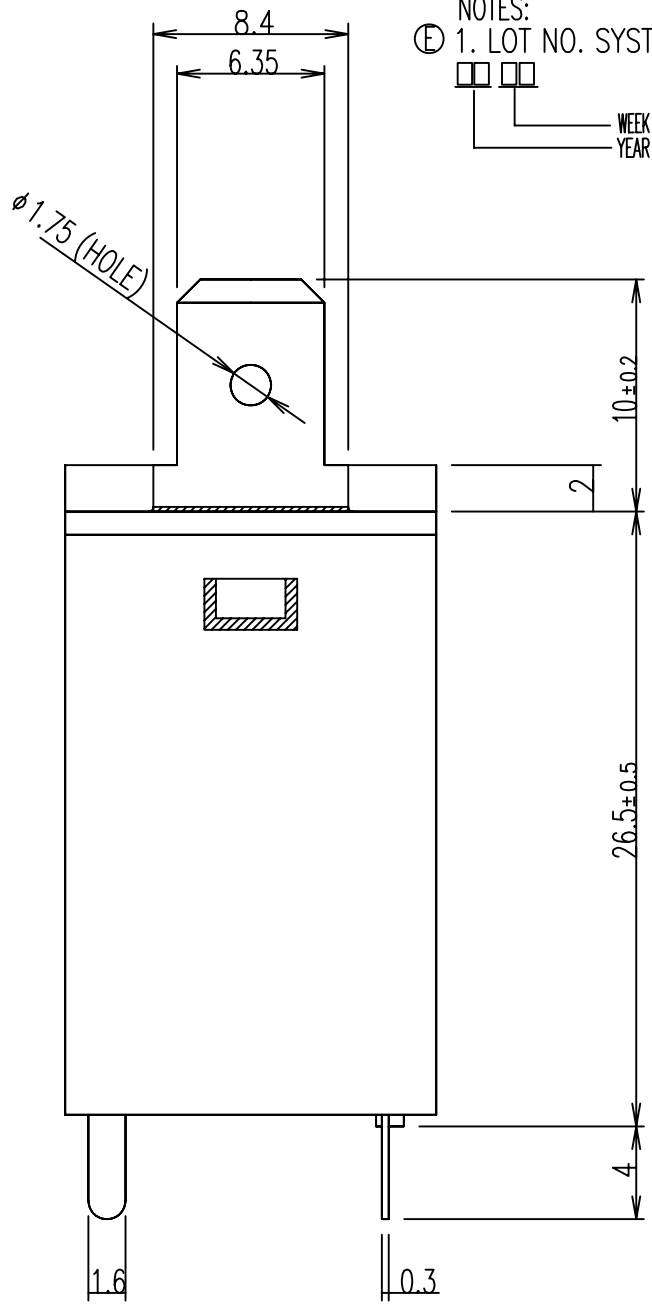
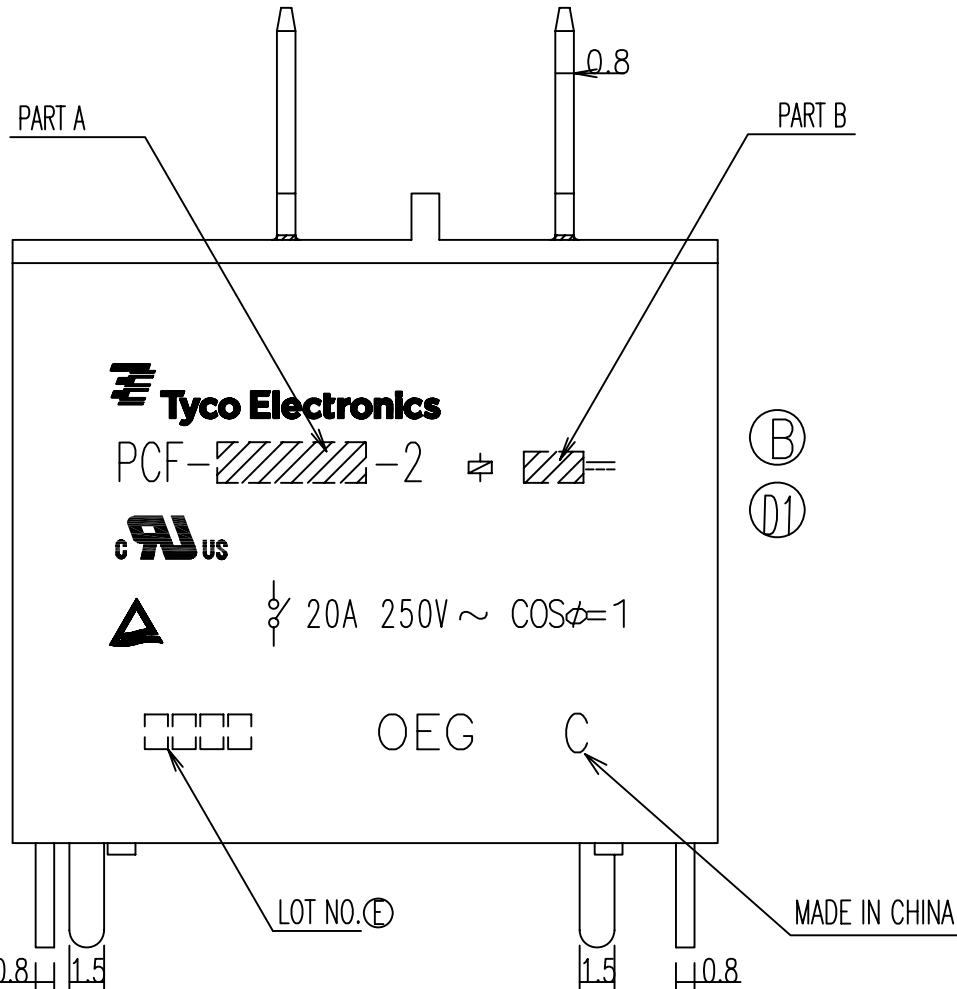
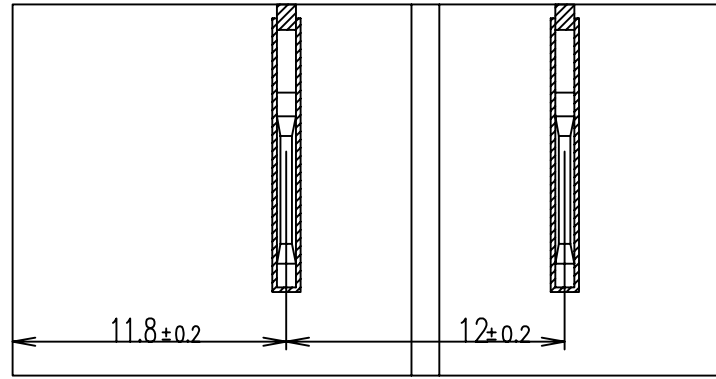


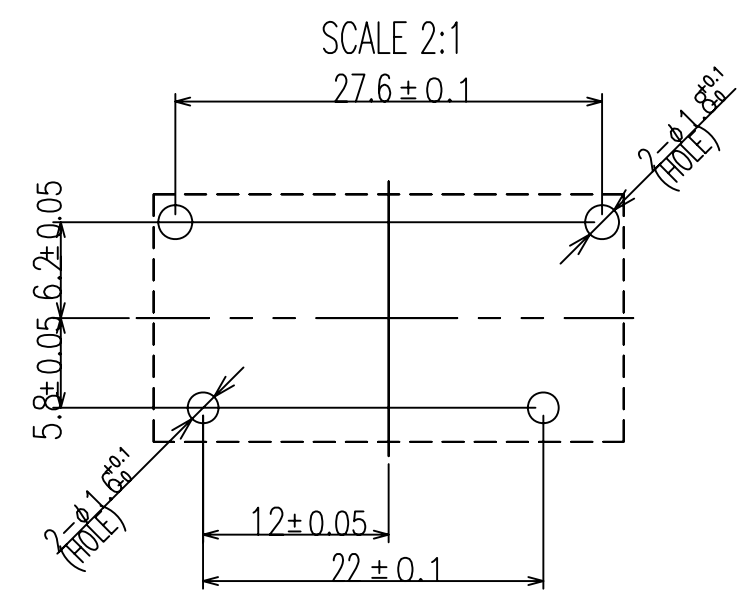
THIS DRAWING IS UNPUBLISHED. RELEASED FOR PUBLICATION
 © COPYRIGHT BY TYCO ELECTRONICS CORPORATION. ALL RIGHTS RESERVED.

LOC		DIST		REVISIONS				
P	LTR	DESCRIPTION	ECN	DATE	DWN	APVD		
	D1	CORRECT MISTAKE	ECO-06-018966	4-AUG-06	G.L	N.F		
	E	CHANGE DATE CODE&TE LOGO	ECO-08-007869	16-APR-08	CY.Z	BH.Y		

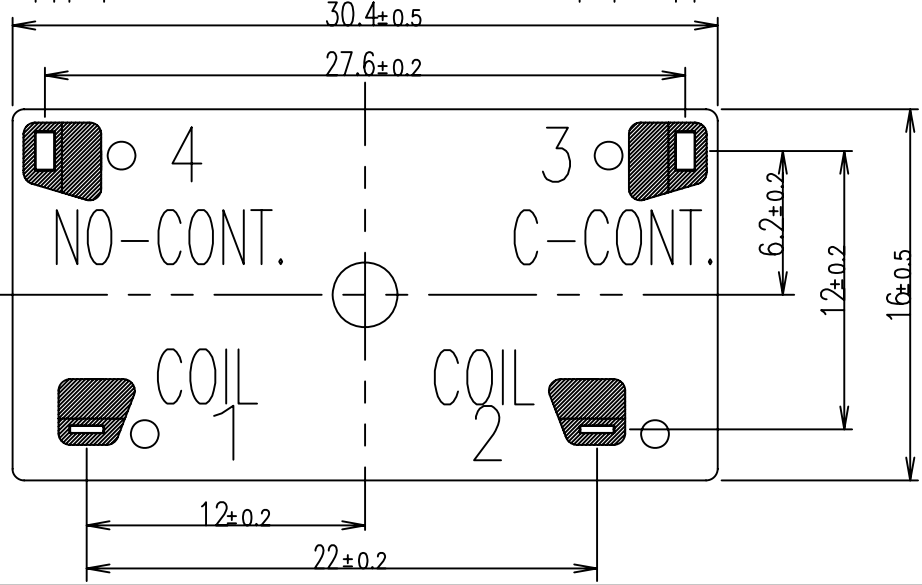
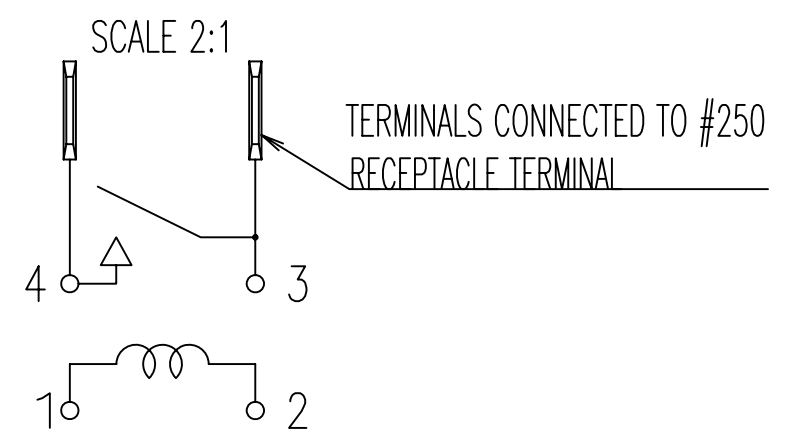


NOTES:
 ① LOT NO. SYSTEM AS FOLLOWING:

DRILLING DIAGRAM (BOTTOM VIEW)



CONNECTION DIAGRAM (BOTTOM VIEW)



THIS DRAWING IS A CONTROLLED DOCUMENT FOR TYCO ELECTRONICS CORPORATION IT IS SUBJECT TO CHANGE AND THE CONTROLLING ENGINEERING ORGANIZATION SHOULD BE CONTACTED FOR THE LATEST REVISION.		DWN	K.OKADO		Tyco Electronics Corporation ShenZhen, China
DIMENSIONS: mm		CHK	H.SASAKI		
TOLERANCES UNLESS OTHERWISE SPECIFIED: 0 PLC ± 1 PLC ± 2 PLC ± 3 PLC ± 4 PLC ± ANGLES ±		APVD	A.NAGAI		NAME
MATERIAL		PRODUCT SPEC	SEE PRODUCT SPEC		PCF-D1M-2 (VA TYPE)
FINISH		APPLICATION SPEC			RESTRICTED TO
		WEIGHT	SIZE	A3	CAGE CODE
		CUSTOMER DRAWING	00779	DRAWING NO	1461477
			SCALE	3:1	SHEET 1 OF 2
				REV	E

LOC	DIST	REVISIONS					
HB		P	LTR	DESCRIPTION	DATE	DWN	APVD

1461477-8	PCF-112D1M-2,400	108-79550	107-79012	12	112D1M	h	Ⓐ		
1461477-7	PCF-112D1M-2,000B	108-79550	107-79040	12	112D1M	g			
1461477-6	PCF-148D1M-2,000	108-79552	107-79012	48	148D1M	f	Ⓐ		
1461477-5	PCF-124D1M-2,000	108-79551		24	124D1M	e			
1461477-4	PCF-112D1M-2,000	108-79550		12	112D1M	d			
1461477-3	PCF-109D1M-2,000	108-79549		9	109D1M	c			
1461477-2	PCF-106D1M-2,000	108-79548		6	106D1M	b			
1461477-1	PCF-105D1M-2,000	108-79547		5	105D1M	a			
TE PART NO	DESCRIPTION	PRODUCT SPEC		PACKING SPEC	PART B	PART A		TYPE	

RELAY TYPE

P.B.T	CASE	17
3UEW	MAGNETIC WIRE	16
EPOXY RESIN	SEAL	15
Cu ALLOY	HINGE SPRING	14
Cu ALLOY	COIL TERMINAL L	13
Cu ALLOY	COIL TERMINAL R	12
Ag ALLOY	C CONTACT	11
Ag ALLOY	M CONTACT	10
Cu ALLOY	C SPRING	9
Cu ALLOY	C TERMINAL(PLATED TYPE)	8
Cu ALLOY	C TERMINAL	
Cu ALLOY	M TERMINAL(PLATED TYPE)	7
Cu ALLOY	M TERMINAL	
P.P.S	CARD	6
P.B.T	BOBBIN	5
P.B.T	BASE	4
STEEL	CORE	3
STEEL	ARMATURE	2
STEEL	YOKE	1
MATERIAL	DESCRIPTION	ITEM


RELEASED FOR PUBLICATION

ALL RIGHTS RESERVED.

BY TYCO ELECTRONICS CORPORATION.

THIS DRAWING IS UNPUBLISHED.

© COPYRIGHT

DIMENSIONS: TOLERANCES UNLESS OTHERWISE SPECIFIED: 0 PLC ± 1 PLC ±± 2 PLC ±±± 3 PLC ±±±± 4 PLC ±±±±± ANGLES ±	DWN	K.OKADO	MATERIAL	FINISH			
	CHK	H.SASAKI	 Tyco Electronics Corporation ShenZhen, China				
	APVD	A.NAGAI					
	PRODUCT SPEC	NAME					
APPLICATION SPEC	PCF-D1M-2 (VA TYPE)						
WEIGHT	SIZE	A4	CAGE CODE	00779C-	DRAWING NO	1461477	RESTRICTED TO
CUSTOMER DRAWING					SCALE	SHEET	2 OF 2
					REV	E	