

GENERAL DESCRIPTION :

TT8486A/TT6061A IC IS A KIND OF CMOS TECHNOLOGY PERMITTED TO DESIGN 3 STEPS TOUCH-DIMMER. THE DETAILED FUNCTIONS ARE AS FOLLOW :

TT8486A/(TT6061A): OFF → NIGHT → MEDIUM → HIGH → OFF

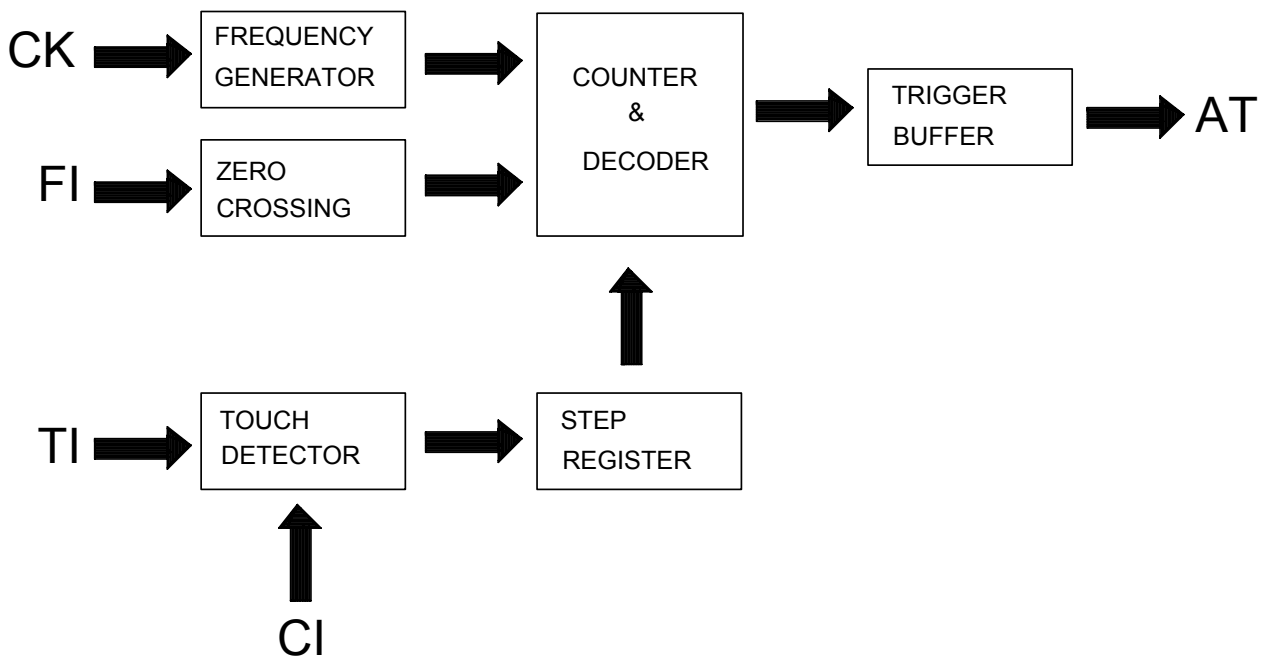
THE TIME THAT TRIAC TURN ON IS AS FOLLOWING FOR EACH STEP OF ALL FUNCTION

3-STEP MODE	NIGHT	MEDIUM	HIGH
AC=110V/60HZ	5.9 ±0.4mS	4.0 ±0.3mS	1.0 ±0.2mS
AC=220V/50HZ	6.8 ±0.4mS	4.5 ±0.3mS	0.9 ±0.2mS

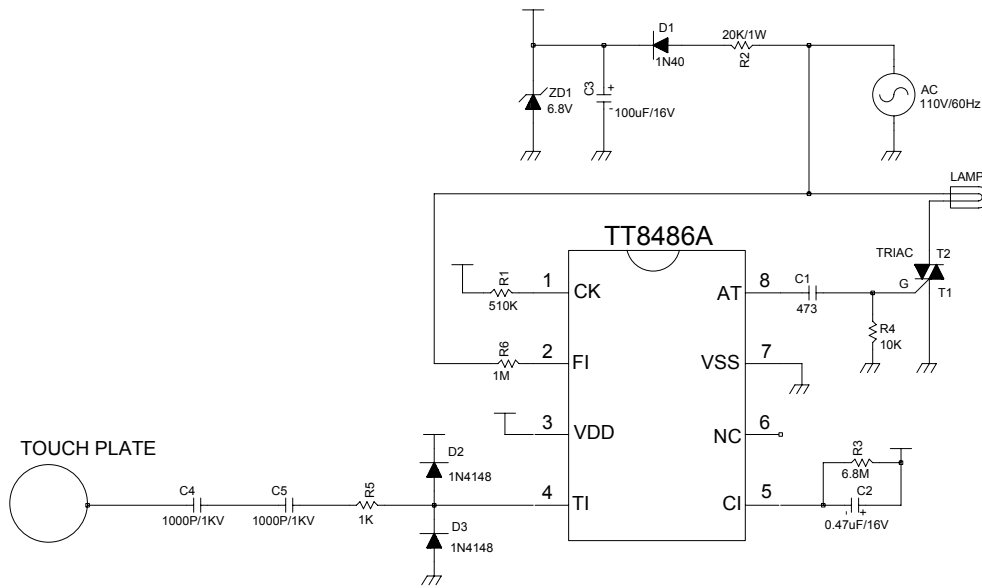
FEATURES :

1. NO MECHANICALLY SWITCH ELEMENTS.
2. HIGH SENSITIVITY AND STABILITY FOR LONG CONNECTING WIRE AND HEAVY LOADING (800pf) ON SENSE-PLATE FOR HUMAN BODY CAPACITY = 50pf
3. VERY SMALL NUMBER OF PERIPHERAL COMPONENTS REQUIRED

TT8486A(TT6061A) BLOCK DIAGRAM



TT8486A/TT6061A RECOMMEND APPLICATION DIAGRAM



NOTE : FOR 220V/50HZ :
 CHANGE R1 510K TO 620K (FOR 60HZ CHANGE TO 50HZ)
 CHANGE R2 20K/1W TO 40K/2W (FOR 110V CHANGE TO 220V)
 CHANGE R6 1M TO 1.5M (FOR 110V CHANGE TO 220V)